

Pads, Levelers & Machine Mounts



***Pads, Levelers
& Machine Mounts***

Fabcel® Pads

High Quality Molded Elastomer

Fabcel Pads

Fabcel is a high quality elastomer molded into scientifically designed vibration and shock isolation pads. The pad surfaces have patented, recessed, offset cells to allow flow of the elastomer when under load while maintaining lateral stability. This design eliminates the shape factor usually associated with elastomeric materials and provides positive grip to machine foot and floor when under load.



Fabcel Features

- Square cells on each side of Fabcel Pads provide positive grip between machine foot and the floor.
- Uniform arrangement of square cells facilitate deflection of the Fabcel Pad under load.
- Fabcel Pads resist permanent set, oil, cleaning compounds, effects of sunlight or air. They will not absorb oil or water.
- Cell pattern prevents the intrusion of foreign materials beneath the load bearing area of the pad.
- Offset cell construction of Fabcel 25, 50 and 100 Pads (cells on opposite sides of pad offset from each other) provide positive grip under lighter loads.
- Specially-designed cell patterns for Fabcel 200 and 300 Pads provide optimum stability and vibration isolation for heavier loads.

Applications

Typical Applications	Fabcel Pads Recommended*
Blowers	25 to 300
Cold Headers	300
Compressors**	25 to 300
Coord Measuring Mach**	25 to 300
Dynamometers	50 to 300
Fans**	25 to 300
Generators	25 to 300
HVAC Equipment	25 to 300
Microscopes	25
Printing Presses**	50 to 300
Punching and Notching**	100 to 300
Punch Presses**	50 to 300
Riveting Machines	50 to 300
Stereos	25
Vacuum Pumps	25
Vibratory Feeders	50 to 300
Word Processing Equipment	25
X-Ray Equipment	25

*See "How to Select Example" section.
**May require isolated inertia block and anchoring. Consult Fabreeka's Engineering Department.

Fabcel Benefits

- Permits low cost machinery mounting by eliminating the need for drilling, bolts, lag screws or adhesives.
- Greater lateral stability is achieved through the square cell design which provides continuous bearing areas on both sides of the pad and in all directions.
- Reduces vibration, absorbs shock and controls noise.
- Prevents machinery from walking or creeping.
- Increases productivity and reduces machine maintenance time.
- Meets OSHA requirements for anchoring machines.
- Easily cut with scissors or sharp knife.

How to Select Example

- 1 $\frac{3,600 \text{ lbs. (1636 kg) machine weight}}{4 \text{ mounting points}} = 900 \text{ lbs. (409 kg) per mounting point}$
- 2 $\frac{900 \text{ lbs. (409 kg)}}{20 \text{ sq. in. (129cm}^2\text{) (area of each mounting pad)}} = 45 \text{ psi (3.16 kg/cm}^2\text{)}$
- 3 Using the capacity section of the specification chart, the correct Fabcel pad is Fabcel 50.

Fabcel Pads Specifications

Type Pad	Capacity	Pad Size "A"	Pad Size "B"	Material
Fabcel 25	1 - 25 psi	18" x 18" x 5/16"	6" x 6" x 5/16"	Nitrile
Fabcel 50	26 - 50 psi	18" x 18" x 5/16"	6" x 6" x 5/16"	Nitrile
Fabcel 100	51 - 100 psi	18" x 18" x 5/16"	6" x 6" x 5/16"	Nitrile
Fabcel 200	101 - 200 psi	18" x 18" x 1/2"	6" x 6" x 1/2"	Nitrile
Fabcel 300	201 - 300 psi	18" x 18" x 1/2"	6" x 6" x 1/2"	Nitrile

Note: Under impact machinery such as punch presses, the Fabcel Pads selected should be rated at 50% of capacity.

Fabcel® Levelers

Adjustable Machine Feet

Levelers

- Self-aligning, without sacrificing stability
- Control noise, shock and vibration with patented Fabcel Pad
- Can be made to customer's material and dimensional requirements



Benefits

- Permits fast, simplified, precise leveling of all types of machines and equipment
- Compensates for uneven surface conditions
- Low initial cost

Discontinued

Model Number	Q35	Q75	Q150	T35	T75	T150	TE75	TE150	TE300	LD75	LD150	HD300	HD450
Bolt Diameter - in.	1/4 - 20	1/4 - 20	1/4 - 20	3/8 - 16	3/8 - 16	3/8 - 16	3/8 - 16	3/8 - 16	3/8 - 16	1/2 - 13	1/2 - 13	1/2 - 13	1/2 - 13
Thread Length - in.	1-5/16	1-5/16	1-5/16	1-1/2	1-1/2	1-1/2	1-5/8	1-5/8	1-5/8	1-11/16	1-11/16	1-11/16	1-11/16
Base Diameter - in.	1-1/2	1-1/2	1-1/2	1-1/2	1-1/2	1-1/2	2-1/8	2-1/8	2-1/8	2-1/8	2-1/8	2-1/8	2-1/8
Pad Diameter - in.	1-3/8	1-3/8	1-3/8	1-3/8	1-3/8	1-3/8	2	2	2	2	2	2	2
Overall Height - in.	2-1/16	2-1/16	2-1/16	2-3/8	2-3/8	2-3/8	2-9/16	2-9/16	2-9/16	2-11/16	2-11/16	2-11/16	2-7/8
Max Load Mount - lbs.	35	75	150	35	75	150	75	150	300	75	150	300	450

Typical Applications

- Computer Frames • Conveyors • Copy Machines
- Electronic Equipment • Food Processing Equipment
- Gym Equipment • Laboratory Equipment • Lasers
- Medical Equipment • Office Partitions • Offset Presses
- Ovens • Packaging Machinery • Printers
- Robots • Scales • Vending Machines • Vibratory Feeders

How to Select Example

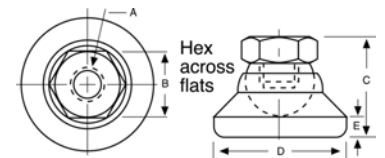
- 1 $\frac{2,000 \text{ lbs. (909 kg) computer frame weight}}{8 \text{ leveling points w } 3/8" \text{ dia. (M10) threaded hole}} = 250 \text{ lbs. (114kg) per leveling point}$
- 2 Using the maximum load section of the specifications chart, the correct Fabcel Leveler to use is TE-300.

Swivel Type Levelers

Model SW and SWB Swivel Type Levelers compensate up to 10° each side of the centerline in order to adjust to uneven surfaces. Base area designed to assure solid support. Zinc plated and gold iridited to resist rust. Model SWB is furnished with 2" long adjusting bolt.

Model	A	B	C	D	E	Max Load Mount lbs
SW - I & SWB - I	3/8 - 16	5/8"	7/8"	1-1/4"	3/16"	6,400
SW-II & SWB-II	1/2 - 13	3/4"	1-1/8"	1-7/8"	1/4"	7,000
SW-III & SWB-III	5/8 - 11	7/8"	1-1/4"	2-1/2"	5/16"	10,000
SW-IV & SWB-IV	3/4 - 10	1-1/16"	1-1/2"	3"	1/2"	13,500

Notes: All Fabcel Levelers are plated to provide corrosion resistance; Swivel Levelers swivel 10° each side of centerline. All others approximately 5°. Swivel Levelers can be furnished with patented Fabcel Pads and readily manufactured to customer specifications; also available in stainless steel. For engineering assistance, please consult Fabreeka's Engineering Department. Please consult Fabreeka for metric availability.

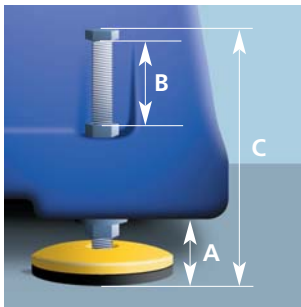


Fabcel[®] Lev-L[®] Mounts

With Separate Bolt Standard Series

Lev-L Mount Benefits

- Scientifically designed square foot suction cells firmly anchor machine to floor
- Controls noise, shock and vibration
- Meets OSHA requirements for anchoring machinery
- Permits fast, simplified, precise leveling of all types of machines and equipment
- Self-aligning without sacrificing stability
- Compensates for uneven floors
- Eliminates danger of creeping or walking
- Needs no cementing or bolting to floor
- Saves on new machine installation or relocation of existing equipment (low initial cost)
- Can be used over again when relocating machinery



How to Select Example

- 1 $\frac{4,000 \text{ lbs. (1818 kg) machine weight}}{4 \text{ mounting points}} = 1000 \text{ lbs. (455 kg) per mounting point}$
- 2 Using the maximum load range section of the specifications chart, the correct Fabcel Lev-L Mount for 1,000 lbs. (455 kg) is the type 10.
- 3 For impact machinery, use next larger size.

Applications

Typical Applications	Mount Type Recommended*
Bindery Equipment	10 to 40
Collators	5 to 20
Conveyors	2.5 to 120
Coord Measuring Mach**	5 to 40
EDM	5 to 40
Lathes	2.5 to 120
Milling Machines	10 to 120
Optical Comparators	2.5 to 40
Printing Presses**	10 to 120
Process Cameras	2.5 to 20
Punching & Notching	20 to 120
Robots	5 to 120
Saws**	5 to 120
Screw Machines	5 to 80
Woodworking Machinery	2.5 to 120

Specifications Lev-L Mounts

Type Mount	Base Dia inches	Load Range		Bolt Dia inches	Minimum Height A	Max Adjust B	Overall Height C
		Min lbs	Max lbs				
2-1/2	2-1/2	125	250	5/16 - 24	1"	2-5/8"	4-1/4"
5	3-1/2	251	500	1/2 - 20	1-3/8"	4-1/4"	6-5/8"
10	3-1/2	501	1,000	1/2 - 20	1-3/8"	4-1/4"	6-5/8"
20	7	1,001	2,000	3/4 - 16	1-7/8"	3-5/8"	6-7/8"
40	7	2,001	4,000	3/4 - 16	1-7/8"	3-5/8"	6-7/8"
80	7	4,001	8,000	3/4 - 16	2-1/8"	3-7/8"	7"
120	7	8,001	12,000	3/4 - 16	2-1/8"	3-7/8"	7"

Notes: Maximum adjustment is reduced by machine foot thickness.
Please consult Fabreeka for metric availability.

*See "How to Select Example" section.
**May require isolated inertia block and anchoring.
Consult Fabreeka's Engineering Department.

Precision-Aire™ PLM Mounts

Pneumatic Leveling Mounts

Precision-Aire™ pneumatic leveling mounts provide low frequency vibration and shock control for surface plates, coordinate measuring machines, fans, air compressors, motor / generator sets, high speed punch presses and more.



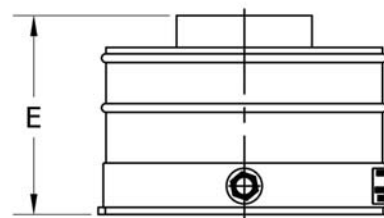
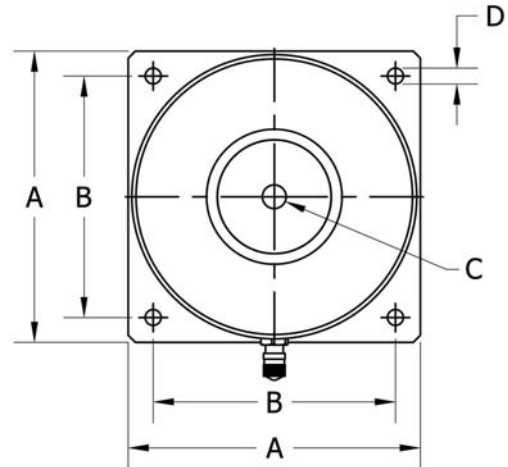
The Fabreeka PLM series pneumatic isolation mounts are low frequency vibration and shock isolators which provide both attenuation of disturbing vibration and equipment leveling.

For vibration control applications, the pneumatic portion of these mounts provide significant reduction of vibration occurring at frequencies above 5.0 Hz.

PLM isolation mounts will continue to isolate with no pressure having a vertical natural frequency of approximately 10.0 Hz.

The vertical to horizontal natural frequency ratio is approximately 1:1 with a degree of horizontal stability.

For shock or impact applications, the outer elastomeric wall construction provides a high deflection shock mount. A low natural frequency (3.0 Hz) can be maintained by utilizing an external spacer to prevent a "bottom out" condition.



PLM Mount Specifications

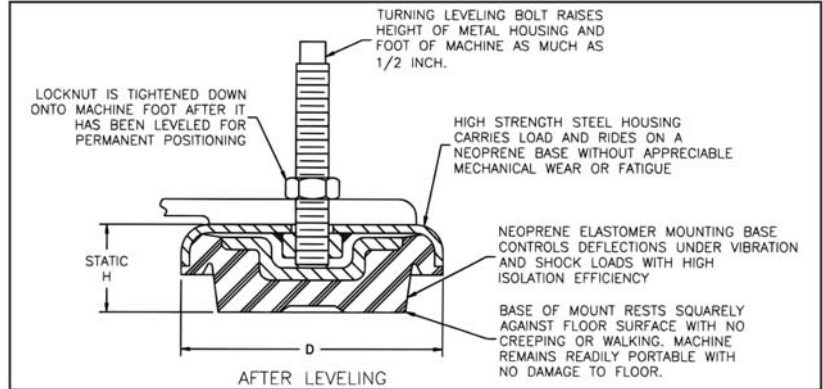
Model	Dimensions - inches					Max Load lbs.
	A	B	C	D	E	
PLM-1	3.00	2.38	3/8-16	0.28	2.50	90
PLM-3	4.19	3.50	1/2-13	0.28	2.50	300
PLM-6	5.12	4.25	1/2-13	0.29	3.50	550
PLM-12	6.88	6.00	1/2-13	0.29	3.50	1,200
PLM-24	10.00	8.50	5/8-11	0.56	3.50	2,400
PLM-48	13.50	12.00	5/8-11	0.56	3.50	4,800
PLM-96	18.50	16.00	1.00-14	0.81	3.50	9,600

Note: Please consult Fabreeka for metric availability.

Machine Leveling Mounts



*Standard mount color is yellow. Custom-painted mounts are available.



Features and Benefits

- Easy leveling
- Reduces installation and relocation costs
- No special foundations
- Isolates shock and vibration
- Reduces noise levels
- Meets OSHA anchoring standards
- Reduces maintenance costs
- Improves production efficiency
- Approximately 8-12 Hz natural frequency at max load
- Special bolt lengths, diameters and reducer bushings available

Applications

Typical Applications

Injection Molding Machines
Die Casting Machines
Punch Presses
Lathes
Grinders
Jig Borers
Screw Machines
Milling Machines
Brakes
Compressors / Pumps

Machine Leveling Mounts Specifications

Part No.	Min Load (lbs)	Max Load (lbs)	Bolt Size x Length (in)	Base Dia D (in)	Static Height (in)
305-52220	30	150	3/8-16 x 3	3.13	1.50
305-52221	55	250	3/8-16 x 3	3.13	1.50
305-52221-1	100	500	3/8-24 x 3	3.13	1.50
305-52222	100	500	3/8-16 x 3	3.13	1.50
305-52223*	300	1,000	1/2-13 x 5	4.75	1.50
305-52224	300	1,000	1/2-13 x 5	4.75	1.50
305-52225*	500	4,500	3/4-10 x 5	6.25	1.63
305-52226	500	4,500	3/4-10 x 5	6.25	1.63
305-52227*	4,000	13,000	1-14 x 8	9	2.50
305-52229*	4,000	13,000	1-14 x 8	9	2.25
305-52231	4,000	13,000	3/4-10 x 4	9	2.25
305-52232	4,000	13,000	3/4-10 x 8	9	2.25

Notes: Normally supplied with hex head bolt. (*) indicates square head bolts. Please consult Fabreeka for metric availability.

World Headquarters
Fabreeka International, Inc.
PO Box 210
1023 Turnpike Street
Stoughton, MA 02072
Tel: (800) 322-7352
Tel: (781) 341-3655
Fax: (781) 341-3983
E-mail: info@fabreeka.com
www.fabreeka.com

Germany
Fabreeka GmbH Deutschland
Hessenring 13
D-64572 Büttelborn
Tel: 49 - (0)6152-9597-0
Fax: 49 - (0)6152-9597-40
E-mail: info@fabreeka.de
www.fabreeka.de

England
ACE Fabreeka UK
Unit 404 Easter Park
Haydock Lane
Haydock WA11 9TH
Tel: 44 - (0)1942 727440
Fax: 44 - (0)1942 717273
E-mail: info@ace-fabreeka.com
www.fabreeka.co.uk

Taiwan
Fabreeka International, Inc.
PO Box 1246
Tainan 70499
Taiwan
Tel: 886-935 273732
E-mail: info@fabreeka.tw
www.fabreeka.com.cn